

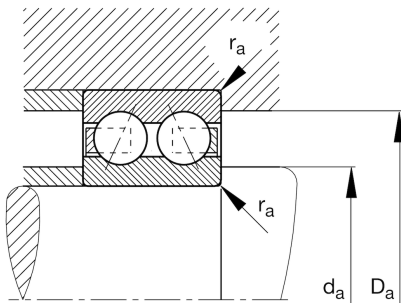
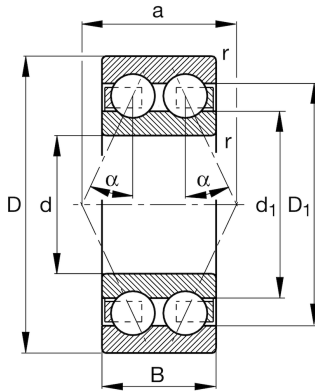
FAG

3200-BB-TVH

Angular contact ball bearing

Schaeffler ID:
0205032370000Angular contact ball bearing 32..-B-TVH,
double row, plastic cage

Technical information

**Main Dimensions & Performance Data**

d	10 mm	Bore diameter
D	30 mm	Outside diameter
B	14 mm	Width
C_r	7,800 N	Basic dynamic load rating, radial
C_{0r}	4,450 N	Basic static load rating, radial
C_{ur}	233 N	Fatigue load limit, radial
n_G	28,000 1/min	Limiting speed
n_{gr}	21,000 1/min	Reference speed
	0.049 kg	Weight

Mounting dimensions

$d_{a \min}$	14.2 mm	Minimum diameter shaft shoulder
$D_{a \max}$	25.8 mm	Maximum diameter of housing shoulder
$r_{a \max}$	0.6 mm	Maximum fillet radius

Dimensions

r_{\min}	0.6 mm	Minimum chamfer dimension
D_1	23 mm	Shoulder diameter outer ring
d_1	16.6 mm	Shoulder diameter inner ring
a	14.8 mm	Distance between the apexes of the pressure cones
α	25 °	Contact angle

Temperature range

T_{\min}	-30 °C	Operating temperature min.
T_{\max}	120 °C	Operating temperature max.